

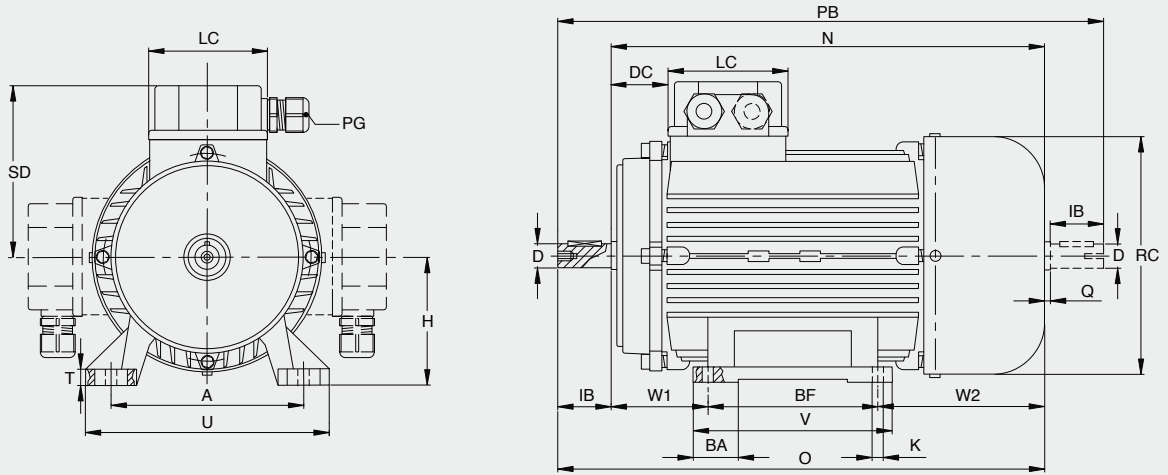
8 P		8 POLI / POLES 750 rpm - V 230/400/50 Hz - dalla grandezza / from size 160 → 400/690/50 Hz																																				
TIPO TYPE	Potenza Power		rpm	In 400 V A	Rend% Eff.%	Cosφ p.f.	Ia In	Ca Cn	Cmax Cn	Cn Nm	J kgm²	Peso Weight Kg	TIPO TYPE	DC				AC				DC - S				POS.DC												
	kw	hp												CF Nm	Cicli/h Cycles/h Coo	PB Watt	Peso Weight Kg	CF Nm	Cicli/h Cycles/h Coo	PB VA	Peso Weight Kg	CF Nm	Cicli/h Cycles/h Coo	PB Watt	Peso Weight Kg	CF Nm	Cicli/h Cycles/h Coo	PB Watt	Peso Weight Kg									
																														CF	Cicli/h	PB	Peso	CF	Cicli/h	PB	Peso	CF
T56B	0,03	0,05	670	0,46	19,0	0,51	1,3	3,1	2,7	0,45	0,0001	3,2	AT56B*	1	27000	12	5,0	-	-	-	-	-	-	-	-	-	-	-	-	-	-	-	-	-				
T63B	0,05	0,07	680	0,55	30,4	0,45	1,4	3,1	3,0	0,70	0,0003	3,9	AT63B	4	22500	20	6,0	5	22500	40	6,0	3	22500	18	5,0	7,5	22500	11,5	4,5									
T63C	0,07	0,10	680	0,70	29,4	0,51	1,6	3,0	3,1	1,00	0,0006	4,3	AT63C	4	22500	20	6,0	5	22500	40	6,0	3	22500	18	6,0	7,5	22500	11,5	4,9									
T71B	0,09	0,12	710	0,80	38,3	0,43	2,5	4,1	4,2	1,25	0,0008	5,7	AT71B	4	27000	20	7,0	5	27000	40	7,0	4	27000	18	7,0	7,5	27000	11,5	6,3									
T71C	0,12	0,17	700	0,80	44,0	0,49	2,5	3,0	3,2	1,70	0,0010	6,4	AT71C	4	27000	20	8,0	5	27000	40	8,0	4	27000	18	8,0	7,5	27000	11,5	7,0									
T80A	0,18	0,25	710	1,00	48,5	0,56	2,7	2,4	2,6	2,50	0,0020	8,8	AT80A	8	27000	25	11,0	10	27000	70	11,0	9	27000	25	10,0	15,0	27000	16,0	9,9									
T80B	0,25	0,35	700	1,10	55,0	0,62	2,9	1,9	2,5	3,50	0,0025	10,5	AT80B	8	27000	25	13,0	10	27000	70	13,0	9	27000	25	13,0	15,0	27000	16,0	11,6									
T80C	0,37	0,50	690	1,50	55,0	0,66	2,5	1,6	1,9	5,20	0,0028	11,0	AT80C	8	25500	25	14,0	10	25500	70	14,0	9	25500	25	14,0	15,0	25500	16,0	12,1									
T90S	0,37	0,50	700	1,50	58,4	0,60	2,9	2,0	2,3	5,10	0,0035	12,0	AT90S	16	18000	30	17,0	20	18000	120	17,0	10	18000	25	15,0	30,0	18000	21,0	14,0									
T90L	0,55	0,75	700	2,10	61,1	0,62	3,1	2,0	2,4	7,60	0,0045	14,0	AT90L	16	15000	30	18,0	20	15000	120	18,0	10	15000	25	17,0	30,0	15000	21,0	16,0									
T90LB	0,75	1,00	700	2,90	61,1	0,61	3,2	2,2	2,4	10,30	0,0055	16,0	AT90LB	16	14500	30	20,0	20	14500	120	20,0	10	14500	25	19,0	30,0	14500	21,0	18,0									
T100A	0,75	1,00	710	2,40	69,2	0,66	3,4	1,9	2,0	10,20	0,0090	19,8	AT100A	32	12500	40	26,0	40	12500	160	28,0	12	12500	35	24,0	60,0	12500	28,0	23,3									
T100B	1,10	1,50	700	3,50	67,4	0,68	3,1	1,8	1,9	15,40	0,0100	22,0	AT100B	32	8500	40	29,0	40	8500	160	31,0	12	8500	35	26,0	60,0	8500	28,0	25,5									
T100BL	1,30	1,80	690	3,90	69,8	0,70	2,8	1,7	2,0	18,10	0,0120	24,0	AT100BL	32	8000	40	31,0	40	8000	160	33,0	12	8000	35	28,0	60,0	8000	28,0	27,5									
T112A	1,50	2,00	710	4,60	74,2	0,65	3,6	1,5	2,0	20,40	0,0150	32,0	AT112A	60	6500	50	41,0	60	6500	300	41,0	13	6500	35	36,0	60,0	6500	28,0	38,0									
T132S	2,20	3,00	720	6,40	75,4	0,66	3,8	1,3	2,0	29,50	0,0300	44,0	AT132S	80	1900	55	57,0	90	1900	500	58,0	17	1900	35	49,0	120,0	1900	38,0	56,0									
T132M	3,00	4,00	710	8,20	76,2	0,69	3,8	1,3	1,8	40,00	0,0400	53,0	AT132M	80	1900	55	66,0	90	1900	500	67,0	17	1900	35	58,0	120,0	1900	38,0	65,0									
T132ML	4,00	5,50	720	11,00	78,1	0,67	3,9	1,2	1,9	53,50	0,0500	58,0	AT132ML	80	1900	55	71,0	90	1900	500	72,0	17	1900	35	63,0	120,0	1900	38,0	70,0									
T160MA	4,00	5,50	720	11,40	84,0	0,61	4,5	2,2	2,6	53,40	0,0800	64,0	AT160MA	150	1600	85	83,0	200	1600	600	81,0	30	1600	65	71,0	240,0	1600	45,0	85,0									
T160MB	5,50	7,50	720	13,80	85,2	0,68	3,8	1,6	2,0	72,60	0,0920	72,0	AT160MB	150	1600	85	91,0	200	1600	600	89,0	30	1600	65	79,0	240,0	1600	45,0	93,0									
T160L	7,50	10,00	720	17,50	84,0	0,76	3,7	1,4	2,0	101,00	0,1120	86,0	AT160L	150	1600	85	105,0	200	1600	600	103,0	30	1600	65	93,0	240,0	1600	45,0	107,0									
T180L	11,00	15,00	725	25,00	86,0	0,74	5,0	2,0	2,0	144,96	0,2100	120,0	AT180L	260	200	100	119,0	400	200	600	139,0	-	-	-	-	480,0	1300	70,0	141,0									
T200L	15,00	20,00	725	33,00	87,0	0,76	5,0	2,0	2,1	197,67	0,3700	145,0	AT200L	400	100	100	149,0	400	100	600	164,0	-	-	-	-	480,0	900	70,0	166,0									

* no freni UL/CSA / Not available with UL/CSA brakes

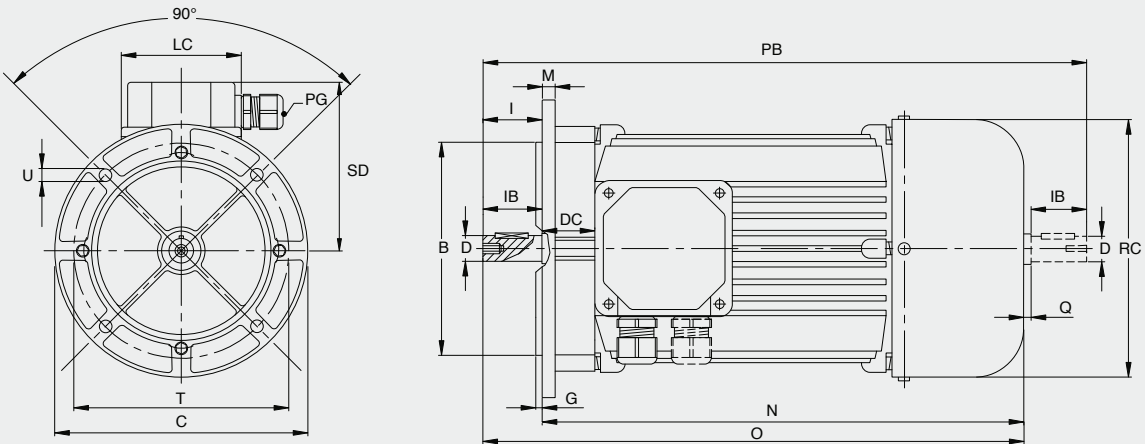
Dimensioni motori trifase e doppia polarità serie T - DP - HE2 - HE3** - IN
 Dimensions of three-phase and two-speed motors series T - DP - HE2 - HE3** - IN

In generale dalla grandezza 71 ÷ 200 piedi riportati / In generale dalla grandezza 71 ÷ 200 piedi riportati

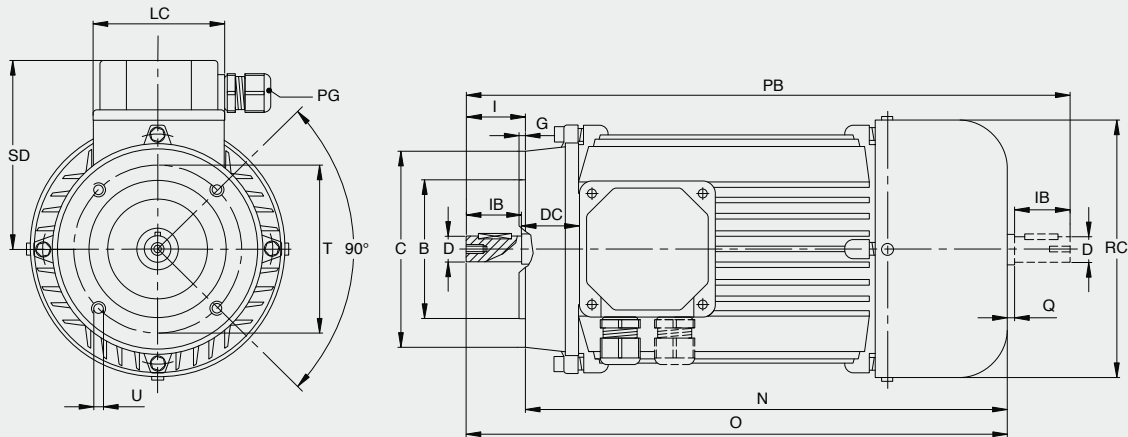
B3



B5

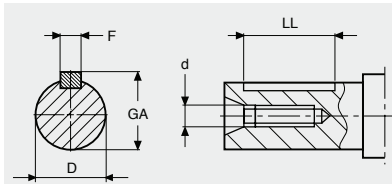


B14



* vedere pag. 45 ** su richiesta * see page 45 ** upon request

Tab. 37



Grand. / Size	50	56	63	71	80	90	100	112	132	160	180	200
F	3	3	4	5	6	8	8	8	10	12	14	16
D	9	9	11	14	19	24	28	28	38	42	48	55
GA	10.2	10.2	12.5	16.0	21.5	27.0	31.0	31.0	41.0	45.0	52.5	59.0
d		M4	M4	M5	M6	M8	M10	M10	M12	M16	M16	M20
LL	15	15	15	20	30	40	50	50	60	100	90	100

Grand. Size	Dimensioni / Dimensions																			B3	
	D	IB	A	BF	K	H	W1	W2	N	O	PG	RC	SD	TP	U	V	PB	Q	LC	DC	BA
56	9	20	90	71	6	56	36	61,0	168,0	188,0	M16	110	95	10	108	90	211,0	3	75	24	25
63	11	23	100	80	7	63	40	70,5	190,5	213,5	M16	123	100	10	120	105	239,5	3	75	28	27
71	14	30	112	90	8	71	48	80,0	218,0	248,0	M16	137	109	11	136	108	281,0	3	75	36	24
80	19	40	125	100	9	80	54	88,0	242,0	282,0	M20	156	123	13/14	154	125	326,0	4	91	35	30
90S	24	50	140	100	10	90	59	96,0	255,0	305,0	M20	176	128	13/15	170	130	358,0	3	91	40	30
90L	24	50	140	125	10	90	59	96,0	280,0	330,0	M20	176	128	13/15	170	155	383,0	3	91	40	32
100	28	60	160	140	13	100	63	109,0	312,0	372,0	M20	194	140	15/16	192	175	437,0	5	91	45	32
112	28	60	190	140	13	112	72	118,0	330,0	390,0	M20	218	148	15	224	176	455,0	5	91	47	34
132S	38	80	216	140	14	132	89	151,5	380,5	460,5	M32	258	177	16/18	260	180	546,5	6	106	57	37
132M	38	80	216	178	14	132	89	151,5	418,5	498,5	M32	258	177	16/18	260	218	584,5	6	106	57	37
160M	42	110	254	210	16	160	108	173,0	491,0	601,0	M32	309	220	18	318	260	718,0	7	165	118	52
160L	42	110	254	254	16	160	108	173,0	535,0	645,0	M32	309	220	18	318	304	-	-	165	118	52
180	48	110	280	280	16	180	120	210,0	610,0	720,0	M32	346	260	24	346	330	-	-	187	51	42
200	55	110	318	305	18	200	118	208,0	631,0	741,0	M32	348	260	26	398	355	-	-	187	62	54

Grand. Size	Dimensioni / Dimensions																			B5	
	D	I	B	C	G	M	N	O	PG	RC	SD	T	U	PB	Q	LC	DC	IB	LC	DC	BA
56	9	20	80	120	2,5	8,5	168,0	188,0	M16	110	95	100	7,0	211,0	3	75	24	20	75	24	25
63	11	23	95	140	2,5	10,0	190,5	213,5	M16	123	100	115	9,5	239,5	3	75	28	23	75	28	27
71	14	30	110	160	3,0	10,0	218,0	248,0	M16	137	109	130	9,5	281,0	3	75	36	30	75	36	24
80	19	40	130	200	3,0	11,0	242,0	282,0	M20	156	123	165	12,0	326,0	4	91	35	40	91	35	30
90S	24	50	130	200	3,5	10,0	255,0	305,0	M20	176	128	165	12,0	358,0	3	91	40	50	91	40	30
90L	24	50	130	200	3,5	10,0	280,0	330,0	M20	176	128	165	12,0	383,0	3	91	40	50	91	40	32
100	28	60	180	250	4,0	14,0	312,0	372,0	M20	194	140	215	14,5	437,0	5	91	45	60	91	45	32
112	28	60	180	250	4,0	14,0	330,0	390,0	M20	218	148	215	14,5	455,0	5	91	47	60	91	47	34
132S	38	80	230	300	4,0	20,0	380,5	460,5	M32	258	177	265	14,5	546,5	6	106	57	80	106	57	37
132M	38	80	230	300	4,0	20,0	418,5	498,5	M32	258	177	265	14,5	584,5	6	106	57	80	106	57	37
160M	42	110	250	350	5,0	20,0	491,0	601,0	M32	309	220	300	18,5	718,0	7	165	118	110	165	118	52
160L	42	110	250	350	5,0	20,0	535,0	645,0	M32	309	220	300	18,5	-	-	165	118	110	165	118	52
180	48	110	250	350	5,0	20,0	610,0	720,0	M32	346	260	300	19,0	-	-	187	51	110	187	51	42
200	55	110	300	400	5,0	20,0	631,0	741,0	M32	348	260	350	19,0	-	-	187	62	110	187	62	54

Grand. Size	Dimensioni / Dimensions																			B14	
	D	I	B	C	G	N	O	PG	RC	SD	T	U	PB	Q	LC	DC	IB				
50A	9	20	50	80	2,5	125,0	145,0	M16	98	77	65	M5	-	-	56	20	20				
50B	9	20	50	80	2,5	141,0	161,0	M16	98	77	65	M5	184,0	3	64	23	20				
56	9	20	50	80	2,5	168,0	188,0	M16	110	95	65	M5	211,0	3	75	24	20				
63	11	23	60	90	2,5	190,5	213,5	M16	123	100	75	M5	239,5	3	75	28	23				
71	14	30	70	105	3,0	218,0	248,0	M16	137	109	85	M6	281,0	3	75	36	30				
80	19	40	80	120	3,0	242,0	282,0	M20	156	123	100	M6	326,0	4	91	35	40				
90S	24	50	95	140	3,0	255,0	305,0	M20	176	128	115	M8	358,0	3	91	40	50				
90L	24	50	95	140	3,0	280,0	330,0	M20	176	128	115	M8	383,0	3	91	40	50				
100	28	60	110	160	4,0	312,0	372,0	M20	194	140	130	M8	437,0	5	91	45	60				
112	28	60	110	160	4,0	330,0	390,0	M20	218	148	130	M8	455,0	5	91	47	60				
132S	38	80	130	200	4,0	380,5	460,5	M32	258	177	165	M10	546,5	6	106	57	80				
132M	38	80	130	200	4,0	418,5	498,5	M32	258	177	165	M10	584,5	6	106	57	80				
160M	42	110	180	250	4,0	491,0	601,0	M32	309	220	215	M12	718,0	7	165	118	110				
160L	42	110	180	250	4,0	535,0	645,0	M32	309	220	215	M12	-	-	165	118	110				

B14 - grandezze 180 / 200 disponibili su richiesta B14 - sizes 180 / 200 available on request